

SPECIFICATIONS

TEMPERATURE RANGE:

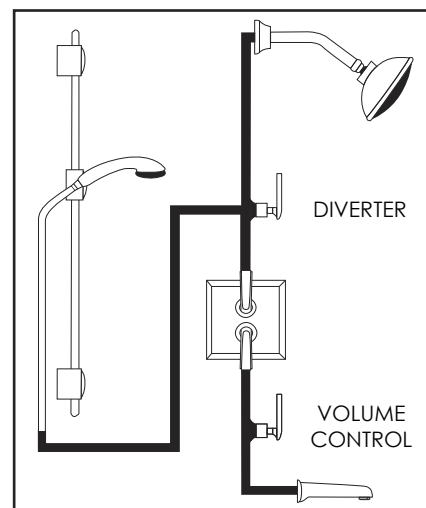
- MINIMUM 34°F
- MAXIMUM 185°F

RECOMMENDED OPERATING PRESSURE:

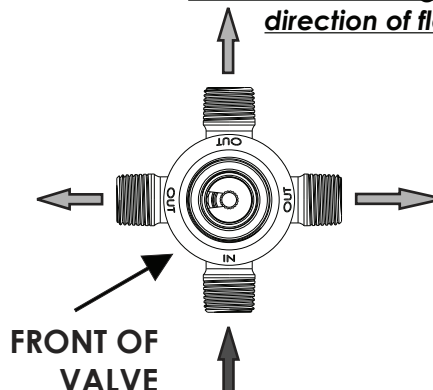
- MINIMUM 15 PSI
- MAXIMUM 75 PSI

INSTALLATION NOTES:

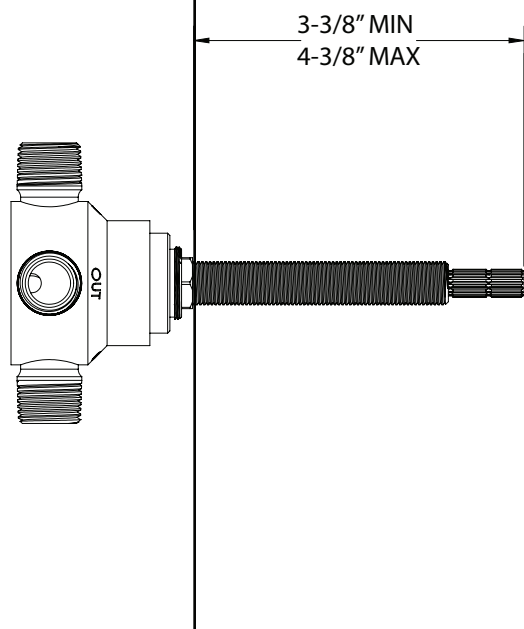
- MUST HAVE BOTH ROUGH AND TRIM TO COMPLETE THE INSTALLATION.
- FLUSH THE PLUMBING SYSTEM BEFORE INSTALLING THIS PRODUCT.
- MUST FOLLOW DIMENSIONS SUPPLIED FOR INSTALLATION AND MAKE SURE ALLOWANCE IS MADE FOR FINISHED WALL MATERIAL SUCH AS TILE, ETC.
- MUST USE WITH VOLUME CONTROL WHEN USED WITH THERMOSTATIC VALVE
- 1 X 1/2" M NPT INLET
- 3 X 1/2" M NPT OUTLETS
- FLOW IS DEDICATED
- CALGREEN COMPLIANT
- OUTLETS MAY BE CAPPED IF NOT USED
- MIN. DEPTH IS 3-3/8"
- MAX. DEPTH IS 4-3/8"
- ADDITIONAL EXTENSION KITS AVAILABLE.



NOTE: Valves must be installed according to direction of flow



Finished Wall



IMPORTANT:

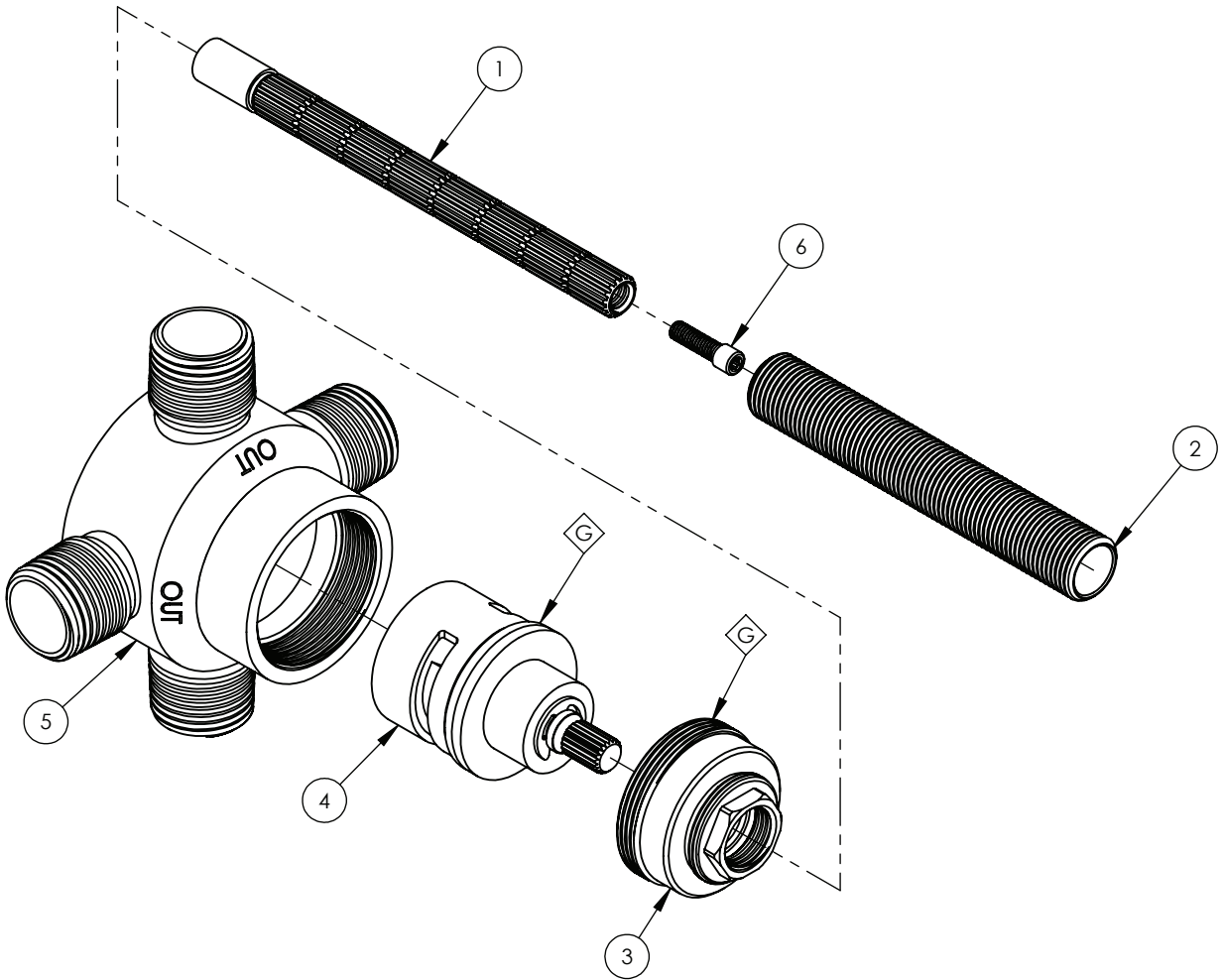
WE RECOMMEND THE USE OF A LICENSED PLUMBER TO INSTALL THIS PRODUCT. PLEASE READ AND UNDERSTAND THE PROVIDED INSTALLATION INFORMATION BEFORE PROCEEDING.

BEFORE USE:

- CAREFULLY CHECK THE INSTALLATION FOR LEAKS.
- IF FURTHER WORK IS GOING TO BE DONE IN THE VICINITY OF THE VALVE AND TRIM, COVER THE INSTALLATION WITH A PLASTIC BAG TO HELP AVOID DAMAGE TO THE FINISH.

CARE AND MAINTENANCE:

- RECOMMEND OCCASIONAL CLEANING WITH WARM SOAPY WATER FOLLOWED BY POLISHING WITH A SOFT CLOTH TO KEEP THE PLATED FINISH IN GOOD CONDITION.
- DO NOT USE ABRASIVE LIQUIDS, POWDERS, OR PADS TO CLEAN THE PRODUCT. YOU WILL DAMAGE THE FINISH AND VOID THE WARRANTY.



ITEM NO.	PART NUMBER	DESCRIPTION	QTY.
1	10054	STEM EXTENSION, 20PT INT. TO 16PT LONG EXT. BROACH	1
2	10209	SHANK, NIPPLE THREAD ALL 9/16"-20UN WITH .433"ID	1
3	10349	NUT CAP FOR 3WAY DIVERTER	1
4	10350	CARTRIDGE, DIV. MOTION C33, 1/3 TURN W/ SHUTOFF FLUHS	1
5	2-048	3WAY BODY W/ MALE 1/2"NPT	1
	10348	THREE WAY DIVERTER BODY	1
	10116	NIPPLE, 1/2"NPT FOR INWALL VALVE ROUGH	4
6	92157	SCREW, SMALL HD M4X0.7 - 1/2"L	1